

# HZ65104R

## 【SPECIFICATIONS】

Image Size:  $\frac{1}{2}$   $\frac{1}{3}$

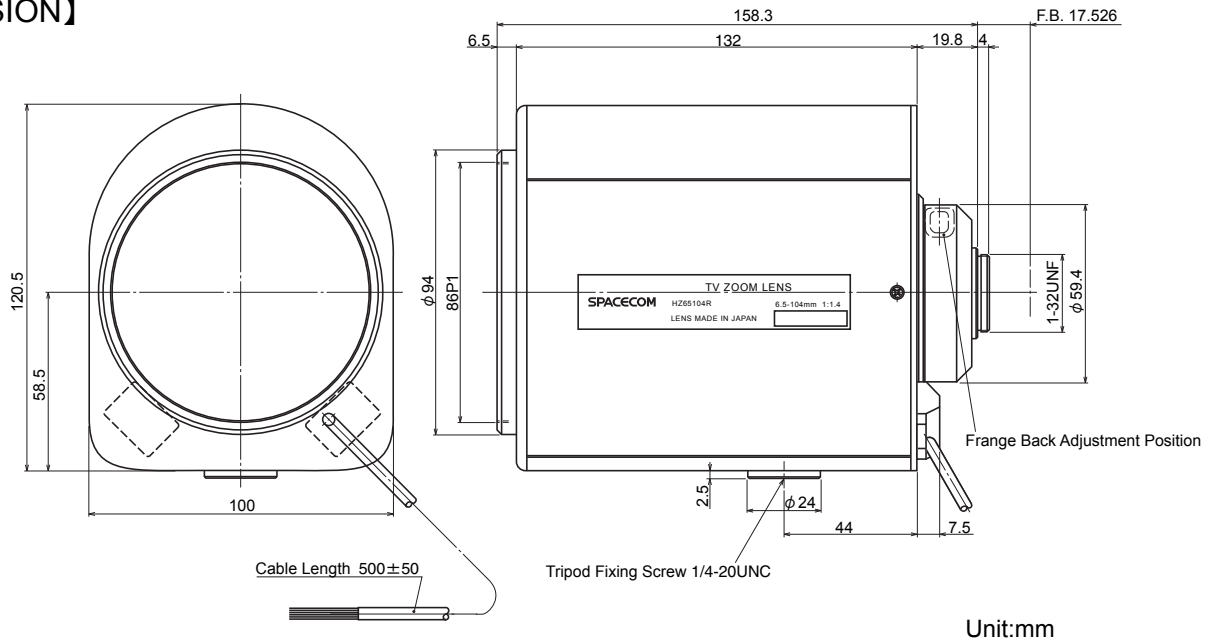
Focal Length : 6.5~104mm  
 Maximum Relative Aperture : 1:1.4 at 6.5~80mm  
 1:1.6 at 104mm  
 Iris : F1.4~Close  
 Zoom Ratio : 16X  
 Angle of view : 52.4°×40.5° at 6.5mm  
 3.5°× 2.6° at 104mm  
 Image Size : 6.4×4.8mm (φ8mm)  
 Minimum Object Distance : 1.5m (From Front Vertex)  
 Optical Back Focal Distance : 15.76mm (In Air)  
 Flange Back : 17.526mm

Operation : Zoom : Motorized (DC±6.4V, Max80mA)  
 Speed Approx.9sec.  
 Focus : Motorized (DC±6.4V, Max80mA)  
 Speed Approx.17sec.  
 Iris : Motorized (DC±6.4V, Max50mA)  
 Speed Approx.2.5sec.  
 Operation Temperature : -10~+50°C  
 Mount : C-Mount(Adjustable Lens Position)  
 Filter Size : 86mm P1  
 Size : 120.5×100×158.3mm  
 Weight : Approx. 1.5 Kg

## 【COMPOSITION】

- Lens . . . . . 1
- Lens Cap . . . . . 1
- Dust Cap . . . . . 1

## 【DIMENSION】



## 【CIRCUIT DIAGRAM】

