

HZ8136RAI-MP2

Image Size: 1/2 1/3

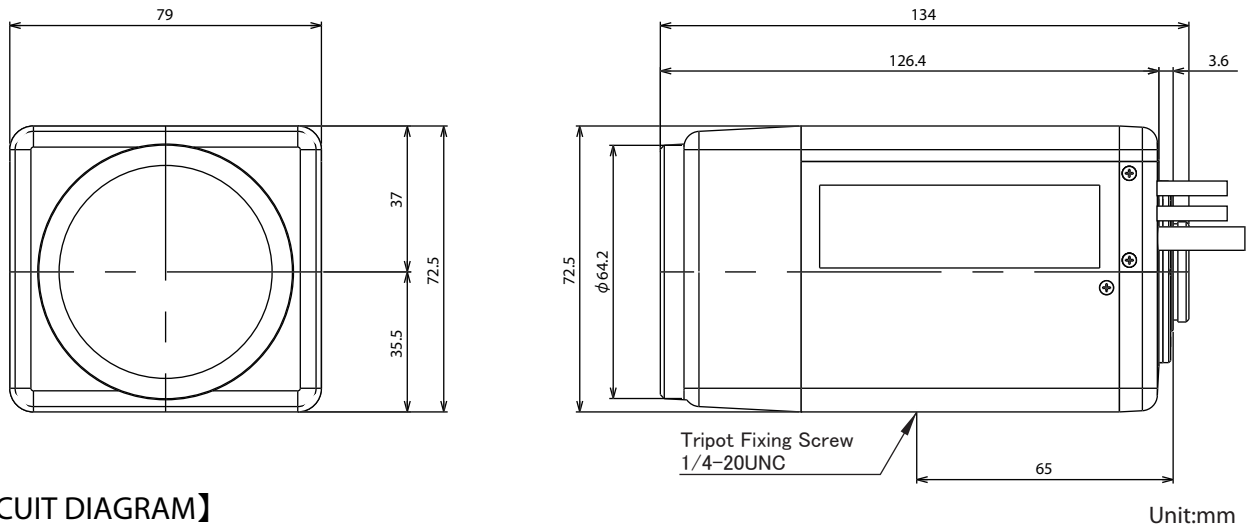
【SPECIFICATIONS】 1/2" Megapixel Motorized Zoom Lens

| | | | |
|------------------------------|--|------------------------|--|
| Focal Length: | 8~136mm | Input Impedance: | High Impedance |
| Maximum Relative Aperture: | 1:1.6 | Operation: | Zoom: Motorized (DC±6.4V, Max40mA) Speed Approx. 4 sec. |
| Iris: | F1.6~Approx.360 | Focus: | Motorized (DC±6.4V, Max40mA) Speed Approx. 5 sec. |
| Zoom Ratio: | 17X | Iris: | EE(DC+8.5~16V : Fixed Voltage, MAX45mA) |
| Angle Field of View: | 43.6 × 33.4 deg. at 8mm 2.7 × 2.2 deg. at 136mm | EE Mechanism: | The built-in EE Amp amplifies the difference between the video signal from the camera and the preset iris signal level. It causes the iris to change size. |
| Image Size: | 6.4 × 4.8mm (φ 8mm) | EE Accuracy: | With Input Video Signal 0.7Vp-p |
| Minimum Object Distance: | 1.8m (From Front Vertex) | Operating Temperature: | -10 to +50°C |
| Optical Back Focal Distance: | 19.33mm (In Air) | Mount: | C-Mount (Adjustable Lens Position) |
| Flange Back: | 17.526mm | Filter Size: | 58mm P0.75 |
| Input Signal: | Composite Video Signal, Video Signal | Size: | 79 × 72.5 × 130mm |
| Sensitivity Adjustment: | 0.5~1.0Vp-p(Image Signal) | Weight: | Approx.650g |
| Photometry Range: | Approx.40~70% Variable to Vp-p | | |

【DIMENSION】

- Lens.....1
- Lens Cap.....1
- Dust Cap.....1

【DIMENSION】



【CIRCUIT DIAGRAM】

