

HZ8136RDC-MP2

【SPECIFICATIONS】 1/2" Megapixel Motorized Zoom Lens

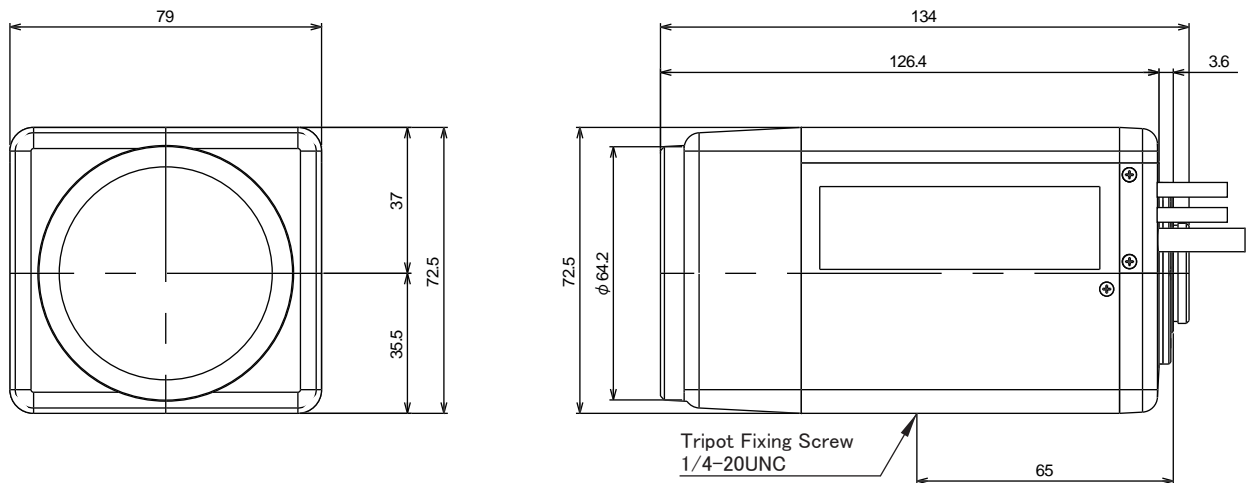
Image Size: 1/2 1/3

FocalLength:	8~136mm	Operation:	Zoom:	Motorized(DC±6.4V, Max40mA) SpeedApprox. 4 sec.
MaximumRelativeAperture:	1:1.6		Focus	Motorized(DC±6.4V, Max40mA) SpeedApprox. 5 sec.
Iris:	F1.6~360		Iris:	IG(Auto Close System) Close→Open: Less than 4.0V Open→Close: More than 0.1V
Zoom Ratio:	17X	Operation Temperature		-10to +50°C
AngleField of View:	43.6× 334 deg. at 8mm 2.7× 2.2deg. at 136mm	Mount:		C-Mount(Adjustable LensPosition)
ImageSize	6.4× 4.8mm (φ 8mm)	Filter Size		58mm P0.75
Minimum ObjectDistance	1.8m(FromFront Vertex)	Size		79× 72.5× 130mm
OpticalBackFocalDistance	19.33mm (In Air)	Weight:		Approx. 650g
FlangeBack	17.526mm			

【COMPOSITION】

- Lens.....1
- Lens Cap.....1
- Dust Cap.....1

【DIMENSION】



Unit:mm

【CIRCUIT DIAGRAM】

