

# HZ848R

## 【SPECIFICATION】

Image Size:  $\frac{1}{2}$   $\frac{1}{3}$

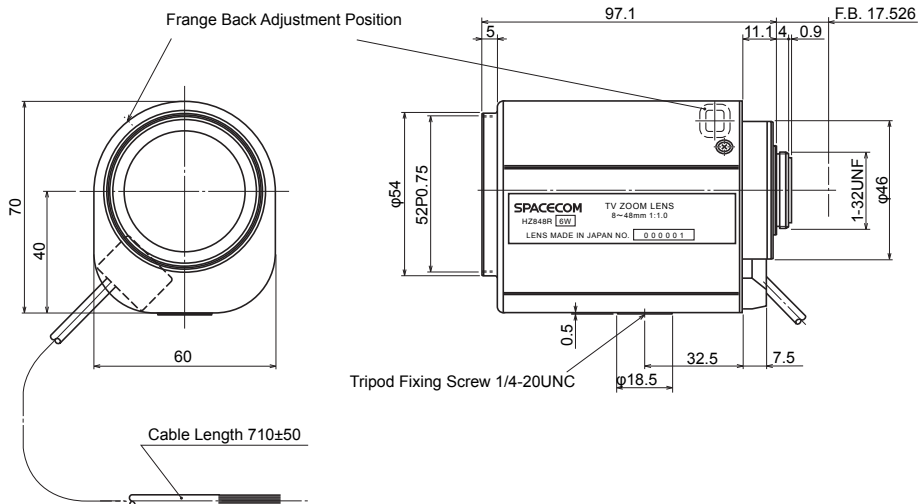
Focal Length : 8~48mm  
 Maximum Relative Aperture : 1:1.0  
 Iris : F1.0~Close  
 Zoom Ratio : 6X  
 Angle of View : 43.6×33.4 deg. at 8mm  
 7.7× 5.7 deg. at 48mm  
 Image Size : 6.4×4.8mm (φ8mm)  
 Minimum Object Distance : 1.0m (From Front Vertex)  
 Optical Back Focal Distance : 14.56mm (In Air)  
 Flange Back : 17.526mm

Operation : Zoom : Motorized(DC±6.4V, Max40mA)  
 Speed Approx.6sec.  
 Focus : Motorized(DC±6.4V, Max40mA)  
 Speed Approx.7sec.  
 Iris : Motorized(DC±6.4V, Max40mA)  
 Speed Approx.3.5sec.  
 Operation Temperature : -10~+50°C  
 Mount : C-Mount(Adjustable Lens Position)  
 Filter Size : 52mm P0.75  
 Size : 70×60×97.1mm  
 Weight : Approx.500 g

## 【COMPOSITION】

- Lens . . . . . 1
- Lens Cap . . . . . 1
- Dust Cap . . . . . 1

## 【DIMENSIONS】



Unit:mm

## 【CIRCUIT DIAGRAM】

