

# HZ880R PZFI

## 【SPECIFICATIONS】

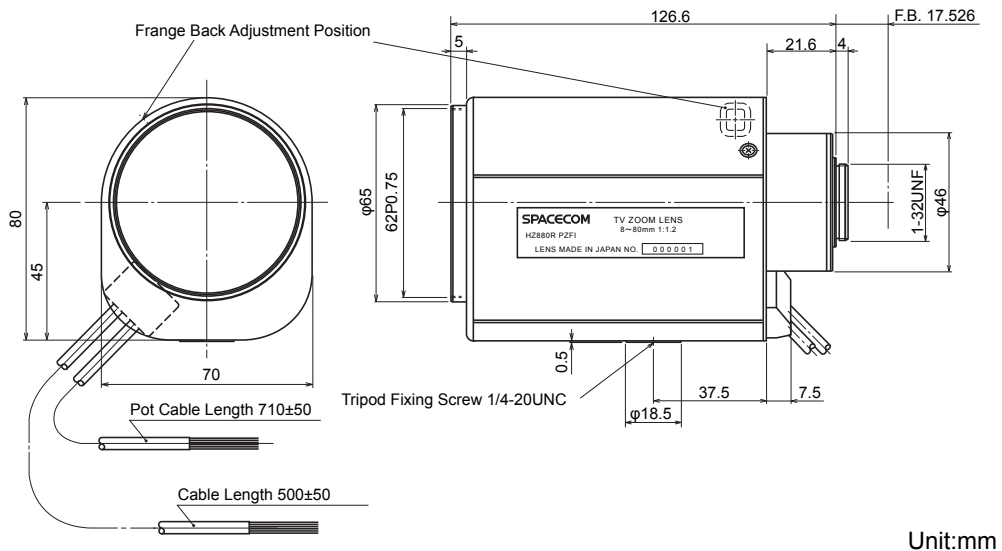
Image Size:  $\frac{1}{2}$   $\frac{1}{3}$

Focal Length :	8~80mm	Operation :	Zoom :	Motorized(DC±6.4V, Max40mA) Speed Approx.6sec.
Maximum Relative Aperture :	1:1.2		Focus :	Motorized(DC±6.4V, Max40mA) Speed Approx.7sec.
Iris :	F1.2~Close		Iris :	Motorized(DC±6.4V, Max40mA) Speed Approx.3.5sec.
Zoom Ratio :	10X	Operation Temperature :		-10~+50°C
Angle of View :	43.6×33.4 deg. at 8mm 4.6× 3.4 deg. at 80mm	Mount :		C-Mount(Adjustable Lens Position)
Image Size :	6.4×4.8mm (φ8mm)	Filter Size :		62mm P0.75
Minimum Object Distance :	1.2m (From Front Vertex)	Size :		80×70×126.6mm
Optical Back Focal Distance :	15.76mm (In Air)	Weight :		Approx.700 g
Flange Back :	17.526mm			

## 【COMPOSITION】

- Lens . . . . . 1
- Lens Cap . . . . . 1
- Dust Cap . . . . . 1

## 【DIMENSIONS】



## 【CIRCUIT DIAGRAM】

