

JHF35M-8MP-RG

【SPECIFICATIONS】

Image size:	2/3" ϕ 11mm 8.8×6.6mm (4:3)	Back focal distance:	14.996mm (∞)
Focal length:	35mm	Flange focal distance:	17.526mm (∞) Over inf. approx. 0.3mm
Maximum aperture ratio:	1 : 2.4	Operation:	Focus Manual Iris -
Iris:	F2.4~22	Operating Temperature:	-10~+50°C
Angle of view:	H14.3°×V10.7°×D17.8° (∞)	Mount:	C-mount
Minimum object distance:	0.2m (recommended object distance 0.3m)	Filter screw size:	27mm P0.5
Resolution:	2.7 μ m (at object distance of 0.3m)	Dimensions:	ϕ 29×37.5mm (the length is 44.1mm at minimum object distance 0.2m)
TV distortion:	-0.0008% (at object distance of 0.3m)	Weight:	Coming soon
Optical distortion:	-0.0058% (at object distance of 0.3m)		

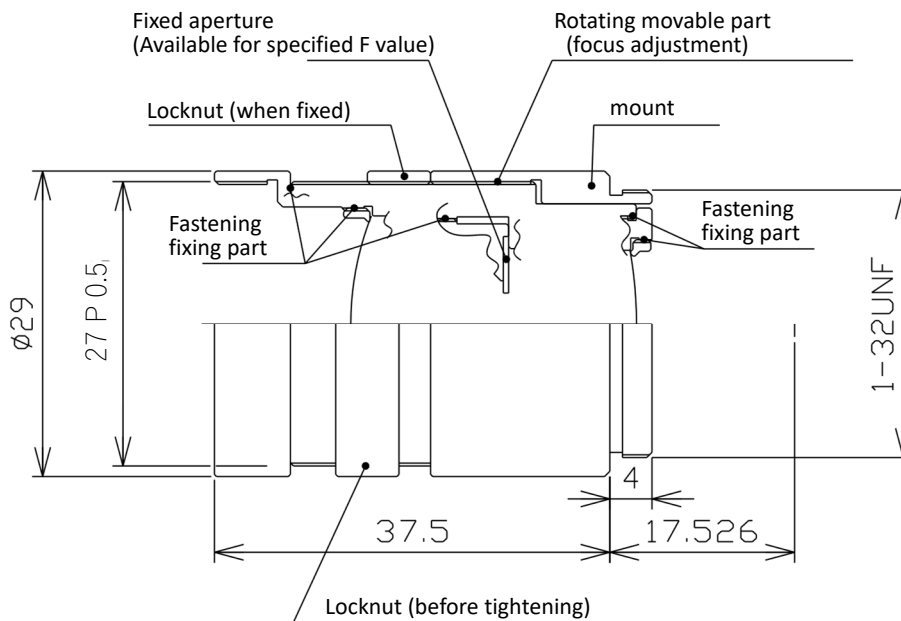
【FEATURES】

- The simple structure prevents dust and liquid droplets from entering the lens unit (equivalent to IP64).
- Vibration resistance is improved compared to the conventional lock screw method due to the fixed aperture and focus double nut structure.

【COMPOSITION】

Lens ······ 1 Lens cap ··· 1 Dust cap ··· 1

【DRAWING】



※If the focus is adjusted to an object distance of 0.18 m or less, the lens unit may come off the mount.