

JZ10100RAI-MP

Image Size: $\frac{2}{3}$ $\frac{1}{2}$ $\frac{1}{3}$

【SPECIFICATIONS】 2/3" Megapixel Motorized Zoom Lenses

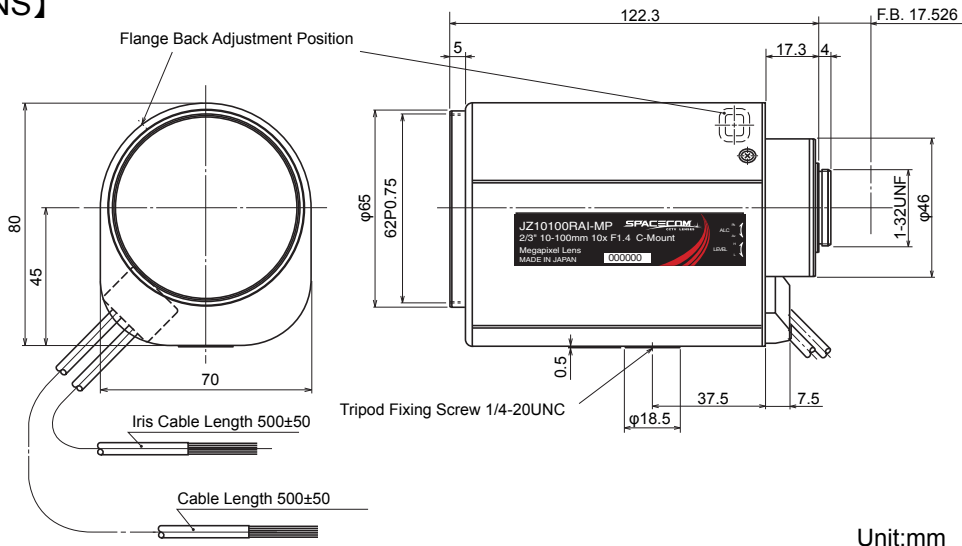
Focal Length : 10~100mm
 Maximum Relative Aperture : 1:1.4
 Iris : F1.4~Approx.1200 (With ND Spot Filter)
 Zoom Ratio : 10X
 Angle of View : 47.5×36.5 deg. at 10mm
 5.0× 3.8 deg. at 100mm
 Image Size : 8.8×6.6mm (φ11mm)
 Minimum Object Distance : 1.2m (From Front Vertex)
 Optical Back Focal Distance : 14.69mm (In Air)
 Flange Back : 17.526mm
 Input Signal : Composite Video Signal, Video Signal
 Sensitivity Adjustment : 0.5~1.0Vp-p(Image Signal)
 Photometry Range : Approx.40~70% Variable to Vp-p

Input Impedance : High Impedance
 Operation : Zoom : Motorized(DC±6.4V, Max40mA)
 Speed Approx.6sec.
 Focus : Motorized(DC±6.4V, Max40mA)
 Speed Approx.7sec.
 Iris : EE(DC+8.5 to 16V : Fixed Voltage, Max60mA)
 EE Mechanism : The built-in EE Amp amplifies the difference between the video signal from the camera and the preset Iris signal level. It causes the Iris to change size.
 Operation Temperature : -10~+50°C
 Mount : C-Mount(Adjustable Lens Position)
 Filter Size : 62mm P0.75
 Size : 80×70×122.3mm
 Weight : Approx.700 g

【COMPOSITION】

- Lens 1
- Lens Cap 1
- Dust Cap 1

【DIMENSIONS】



【CIRCUIT DIAGRAM】

