

JZ1169R

Image Size: $\frac{2}{3}$ $\frac{1}{2}$ $\frac{1}{3}$

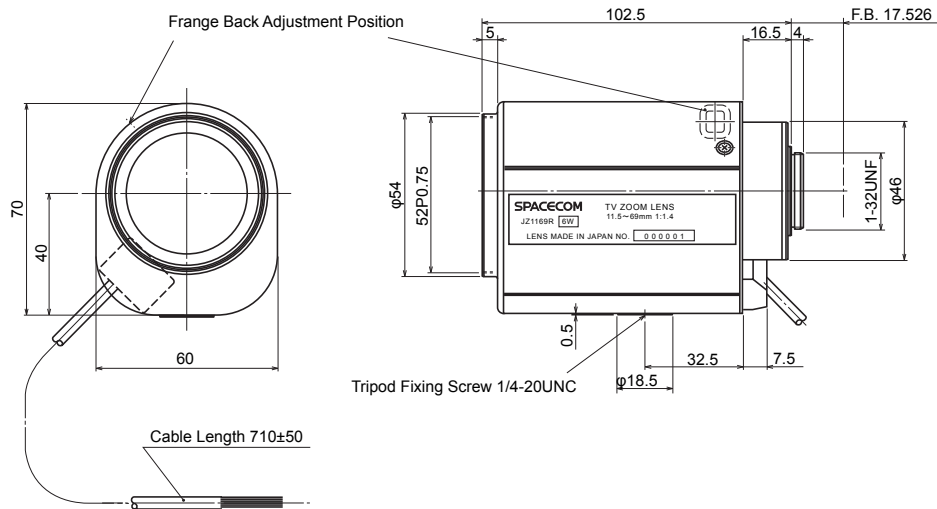
【SPECIFICATION】

Focal Length :	11.5~69mm	Operation :	Zoom :	Motorized(DC±6.4V, Max40mA) Speed Approx.6sec.
Maximum Relative Aperture :	1:1.4		Focus :	Motorized(DC±6.4V, Max40mA) Speed Approx.7sec.
Iris :	F1.4~Close		Iris :	Motorized(DC±6.4V, Max40mA) Speed Approx.3.5sec.
Zoom Ratio :	6X	Operation Temperature :	-10~+50°C	
Angle of View :	41.9×32.0 deg. at 11.5mm 7.3× 5.5 deg. at 69mm	Mount :	C-Mount(Adjustable Lens Position)	
Image Size :	8.8×6.6mm (φ11mm)	Filter Size :	52mm P0.75	
Minimum Object Distance :	1.0m (From Front Vertex)	Size :	70×60×102.5mm	
Optical Back Focal Distance :	14.56mm (In Air)	Weight :	Approx.500 g	
Flange Back :	17.93mm			

【COMPOSITION】

- Lens 1
- Lens Cap 1
- Dust Cap 1

【DIMENSIONS】



Unit:mm

【CIRCUIT DIAGRAM】

