

TZ660RAI

Image Size: $\frac{1}{3}$

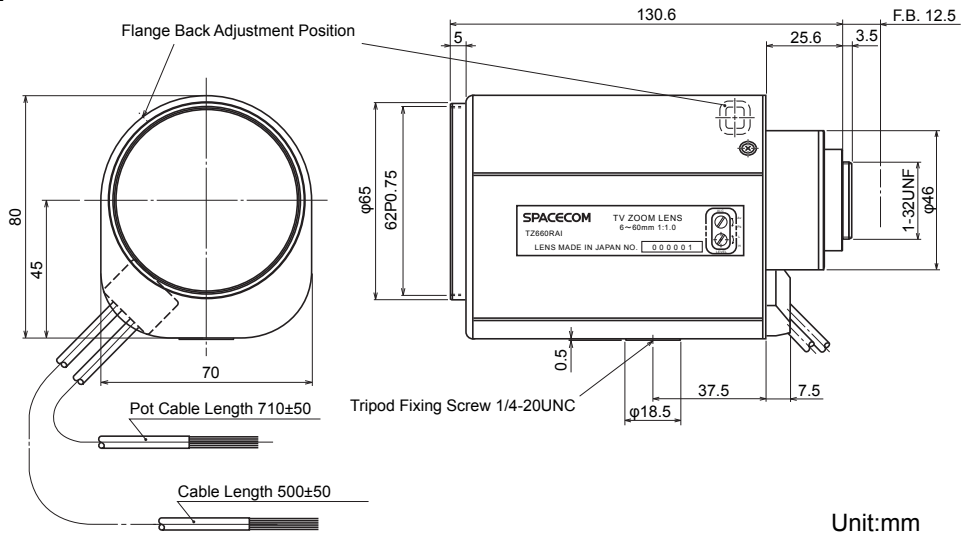
【SPECIFICATIONS】

Focal Length :	6~60mm	Input Impedance :	High Impedance
Maximum Relative Aperture :	1:1.0	Operation : Zoom :	Motorized(DC±6.4V, Max40mA) Speed Approx.6sec.
Iris :	F1.0~Approx.1200 (With ND Spot Filter)	Focus :	Motorized(DC±6.4V, Max40mA) Speed Approx.7sec.
Zoom Ratio :	10X	Iris :	EE(DC+8.5 to 16V : Fixed Voltage, Max60mA)
Angle of View :	43.6×33.4 deg. at 6mm 4.8× 3.6 deg. at 60mm	EE Mechanism :	The built-in EE Amp amplifies the difference between the video signal from the camera and the preset Iris signal level. It causes the Iris to change size.
Image Size :	4.8×3.6mm (φ6mm)	Operation Temperature :	-10~+50°C
Minimum Object Distance :	1.2m (From Front Vertex)	Mount :	CS-Mount(Adjustable Lens Position)
Optical Back Focal Distance :	14.28mm (In Air)	Filter Size :	62mm P0.75
Flange Back :	12.5mm	Size :	80×70×130.6mm
Input Signal :	Composite Video Signal, Video Signal	Weight :	Approx.700 g
Sensitivity Adjustment :	0.5~1.0Vp-p(Image Signal)		
Photometry Range :	Approx.40~70% Variable to Vp-p		

【COMPOSITION】

- Lens 1
- Lens Cap 1
- Dust Cap 1

【DIMENSIONS】



【CIRCUIT DIAGRAM】

