

VHF25M-MP SWIR

Image Size : (1.1)

SPECIFICATIONS

Focal Length : 25mm
 Maximum Relative Aperture : 1:1.4
 Iris : F1.4 ~ 22
 Angle of View : H31.9 ° × V24.1 ° (D39.6 °)
 Image Size : 14.1 × 10.6mm (17.6mm)
 Minimum Object Distance : 0.3m (From Front Vertex)
 Optical Distortion : -2.7 % (at near)
 -2.1 % (at far)
 TV Distortion : -0.8 % (at near)
 -0.6 % (at far)

Optical Back Focal Distance : 16.6mm (In Air)
 Flange Back : 17.526mm
 Operation : Focus : Manual
 Iris : Manual
 Operating Temperature : -10 ~ +50
 Mount : C-Mount
 Filter Size : 35.5mm P0.5
 Size : 40 × 42.5 mm
 Weight : Approx.119g

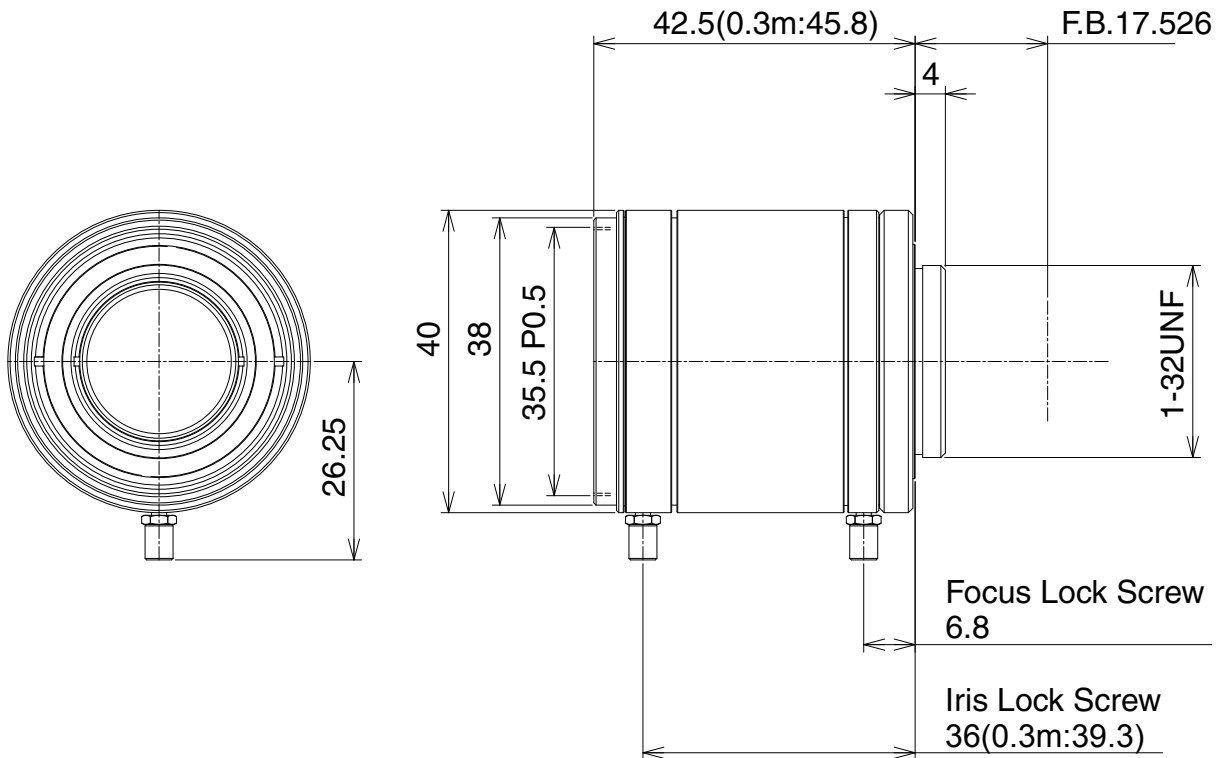
COMPOSITION

- Lens1
- Lens Cap1
- Dust Cap1

Wave(μ m)	Frang Back(mm)
0.9	17.652
1.1	17.741
1.3	17.840
1.5	17.951
1.7	18.078

MOD changes along with change of Flange Back

DIMENSIONS



Unit:mm