

# VHF8M-MP SWIR

Image Size : ①

## SPECIFICATIONS

Focal Length :	8mm	Optical Back Focal Distance :	11.1mm (In Air )
Maximum Relative Aperture :	1:1.4	Frang Back :	17.526mm
Iris :	F1.4 ~ 22	Operation : Focus :	Manual
Angle of View :	H79.7 ° × V62.9 ° (D92.6 ° )	Iris :	Manual
Image Size :	12.8 × 9.6mm ( 16mm )	Operating Temperature :	-10 ~ +50
Minimum Object Distance :	0.1m (From Front Vertex )	Mount :	C-Mount
Optical Distortion :	-8.2 % (at near )	Filter Size :	55mm P0.75
	-7.4 % (at far )	Size :	57 × 58 mm
TV Distortion :	-2.3 % (at near )	Weight :	Approx.200g
	-1.1 % (at far )		

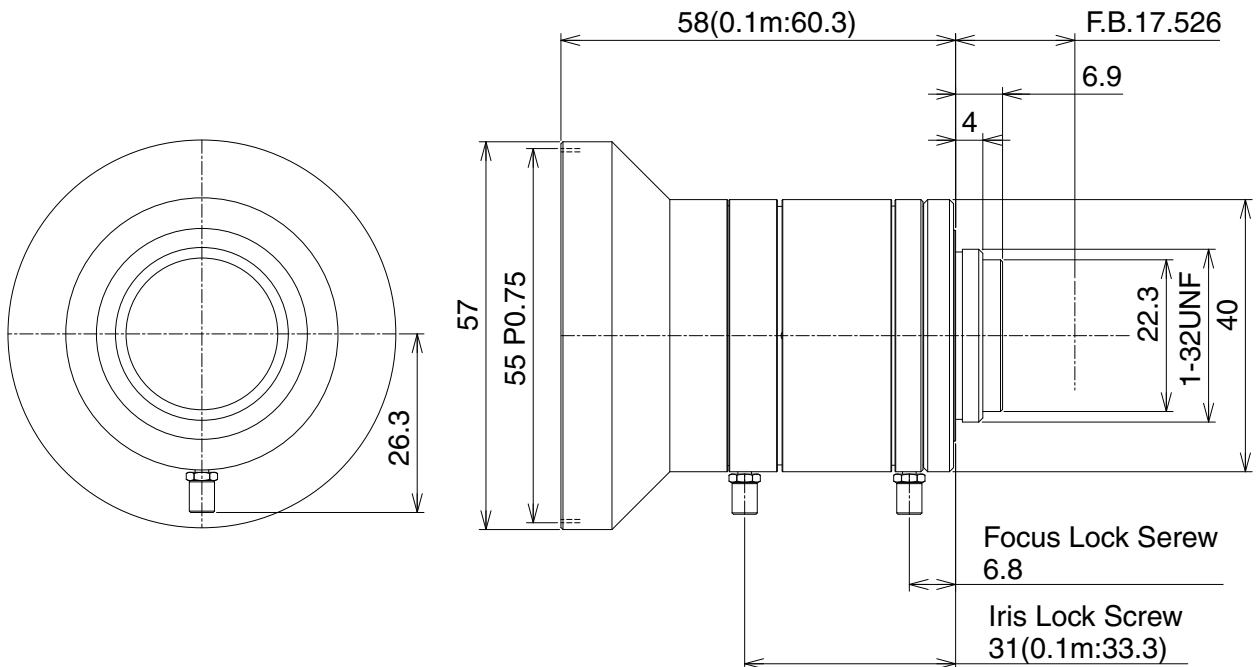
## COMPOSITION

- Lens .....1
- Lens Cap .....1
- Dust Cap .....1

Wave( μ m)	Frang Back(mm)
0.9	17.654
1.1	17.724
1.3	17.784
1.5	17.864
1.7	17.944

MOD change along with change of Flange Back

## DIMENSIONS



Unit:mm