

VZ16160R

【SPECIFICATIONS】

Image Size: 1 2/3 1/2 1/3

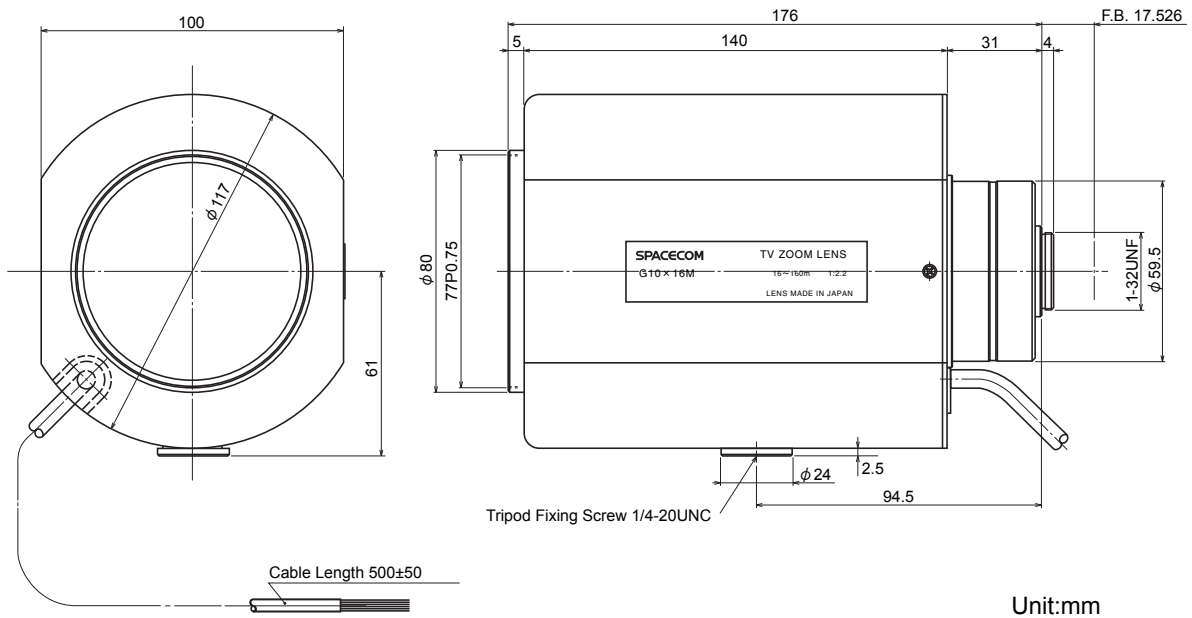
Focal Length : 16~160mm
 Maximum Relative Aperture : 1:2.2(Tele End 1:2.7)
 Iris : F2.2~Close
 Zoom Ratio : 10X
 Angle of View : 43.6×33.4 deg. at 16mm
 4.6× 3.4 deg. at 160mm
 Image Size : 12.8×9.6mm (φ16mm)
 Minimum Object Distance : 1.1m (From Front Vertex)
 Optical Back Focal distance : 18.6mm (In Air)
 Flange Back : 17.526mm

Operation : Zoom : Motorized(DC±6.4V, Max80mA)
 Speed Approx.5.5sec.
 Focus : Motorized(DC±6.4V, Max80mA)
 Speed Approx.8sec.
 Iris : Motorized(DC±6.4V, Max70mA)
 Speed Approx.3.5sec.
 Operation Temperature : -10~+50°C
 Mount : C-Mount(Adjustable Lens Position)
 Filter Thread : 77mm P0.75
 Size : 117×100×176mm
 Weight : Approx.1.4 kg

【COMPOSITION】

- Lens 1
- Lens Cap 1
- Dust Cap 1

【DIMENSIONS】



【CIRCUIT DIAGRAM】

